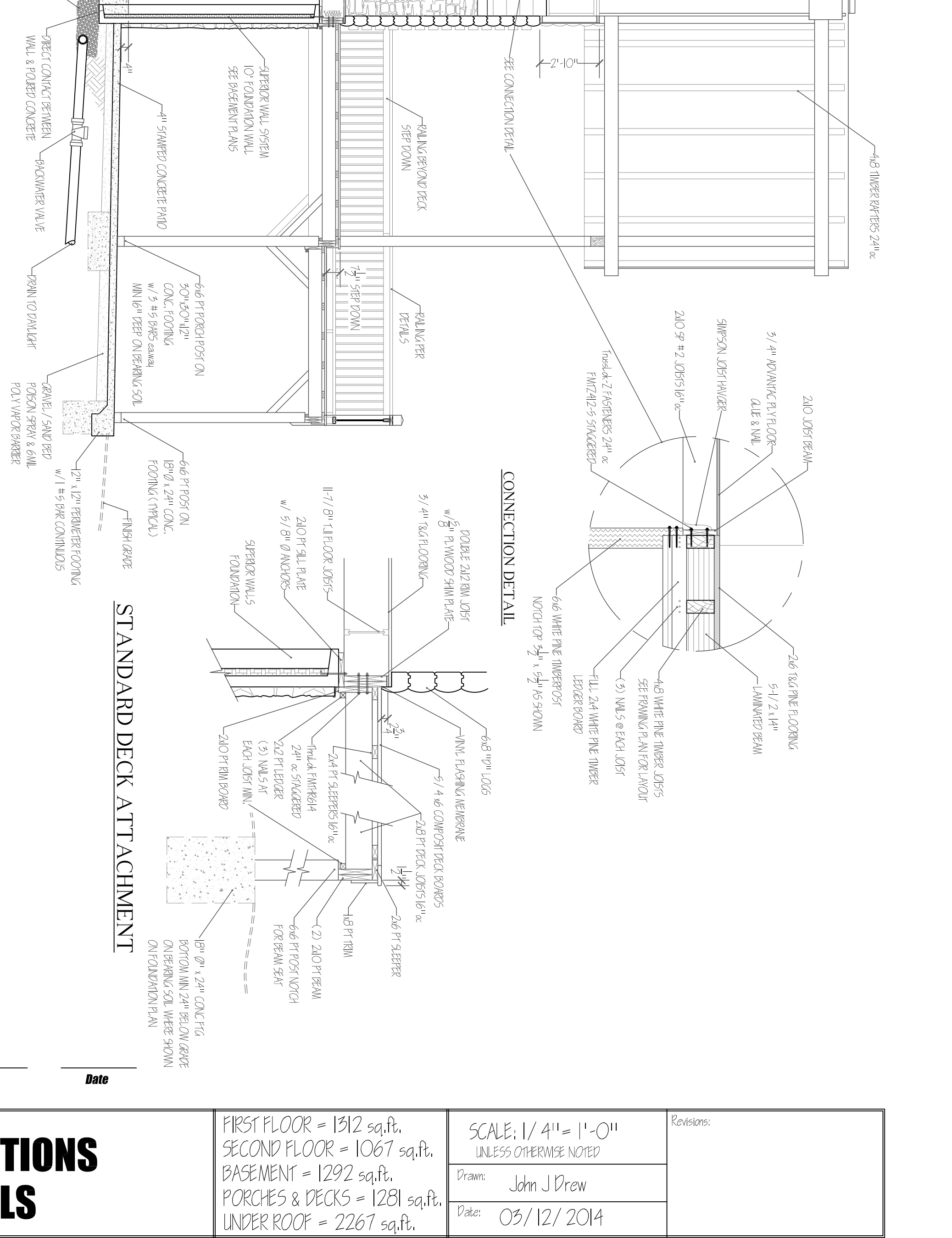
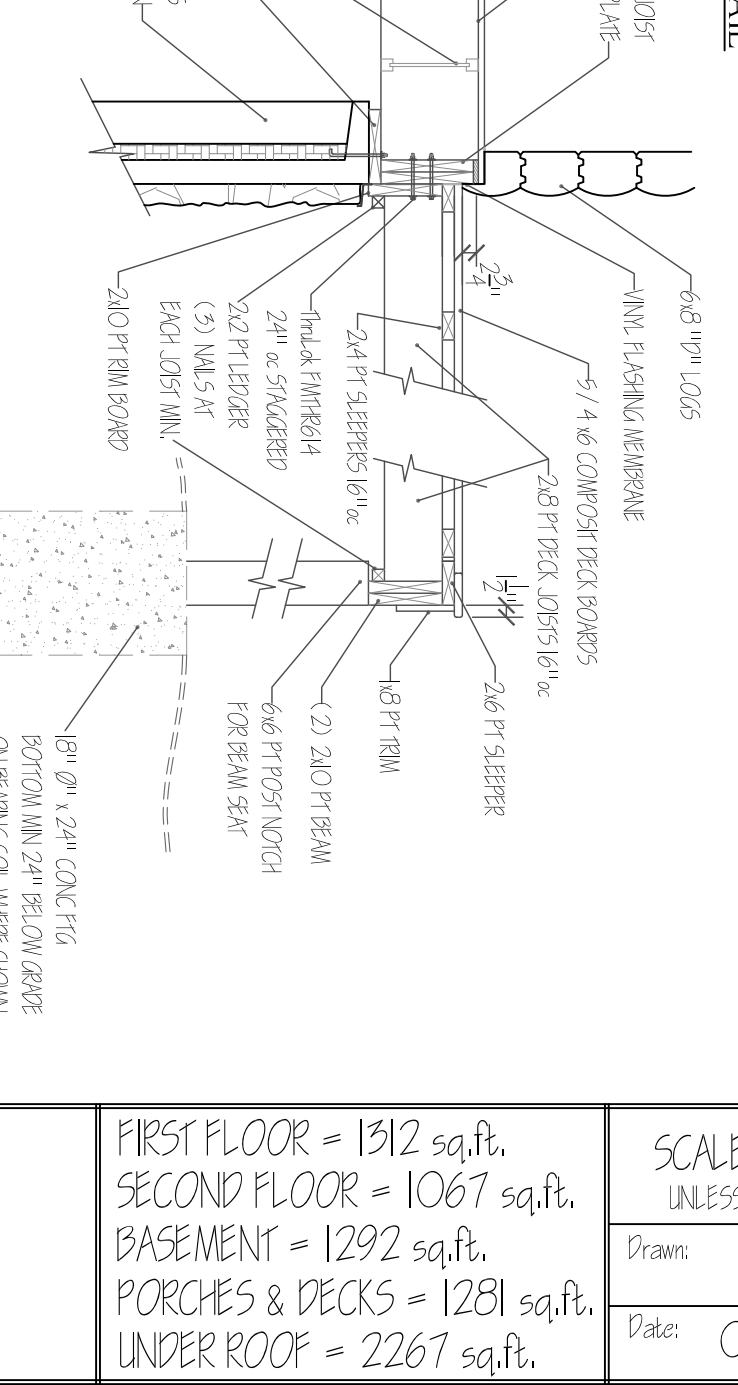


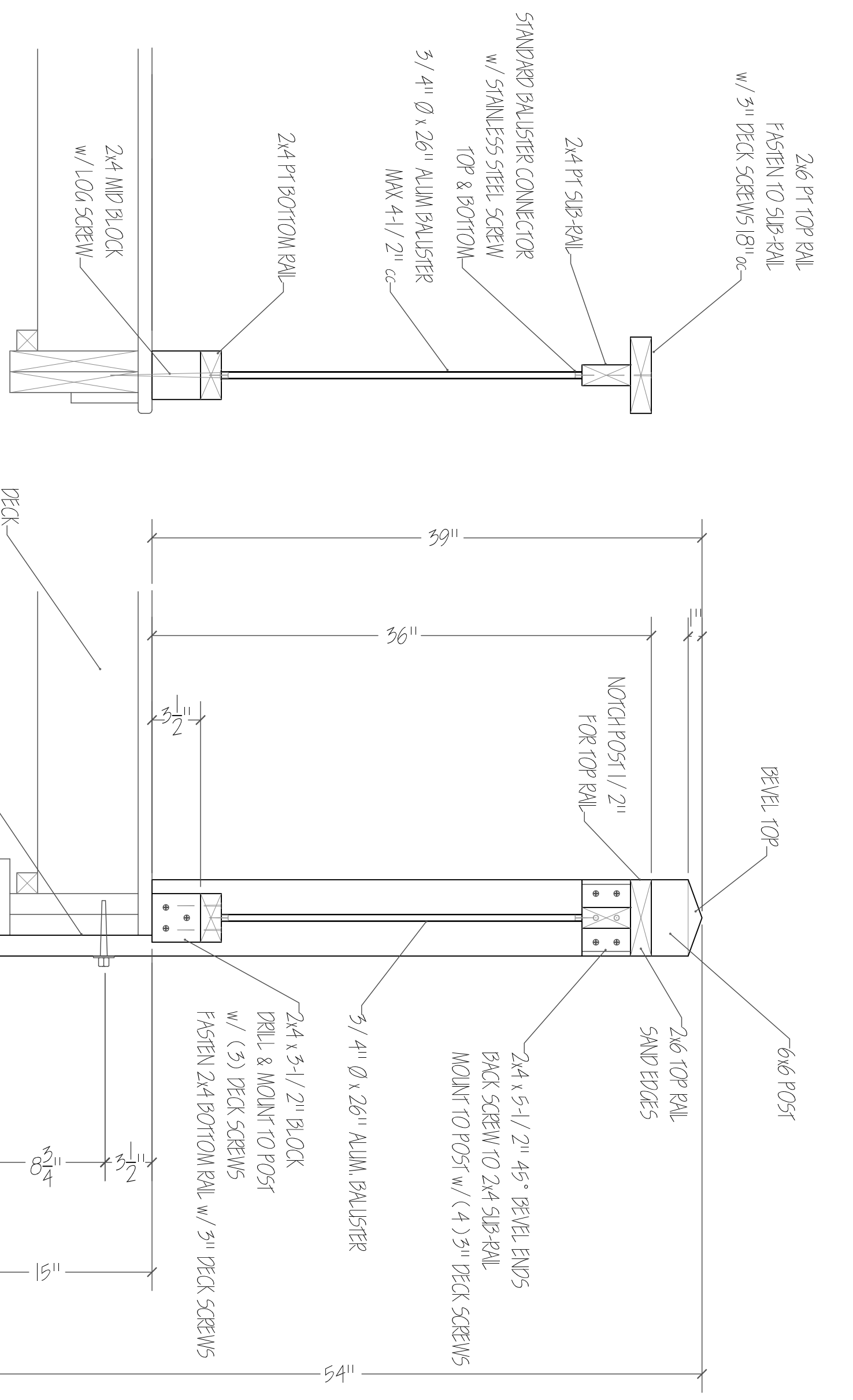
CENTER BUILDING SECTION



STANDARD DECK ATTACHMENT

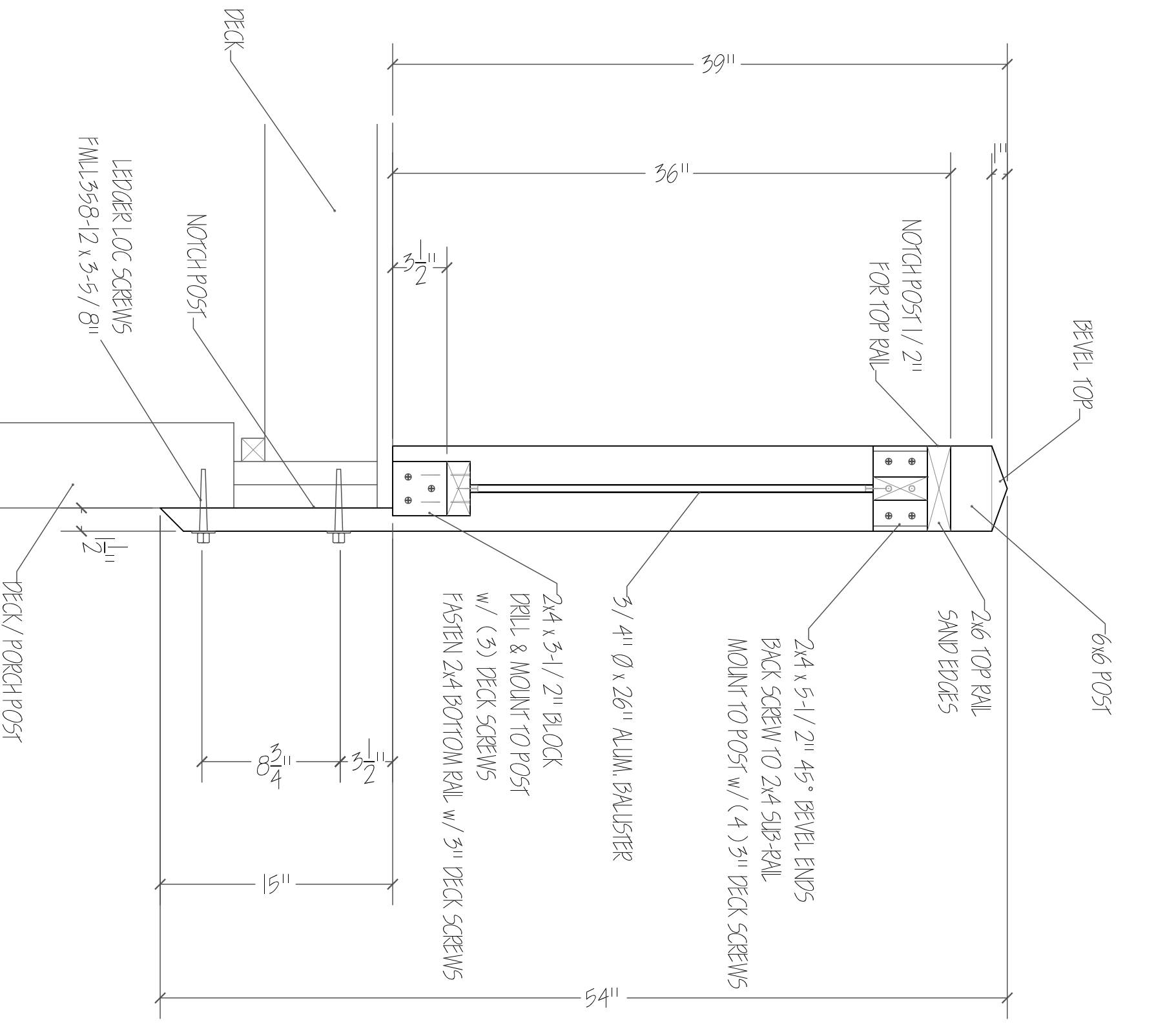


CONNECTION DETAIL



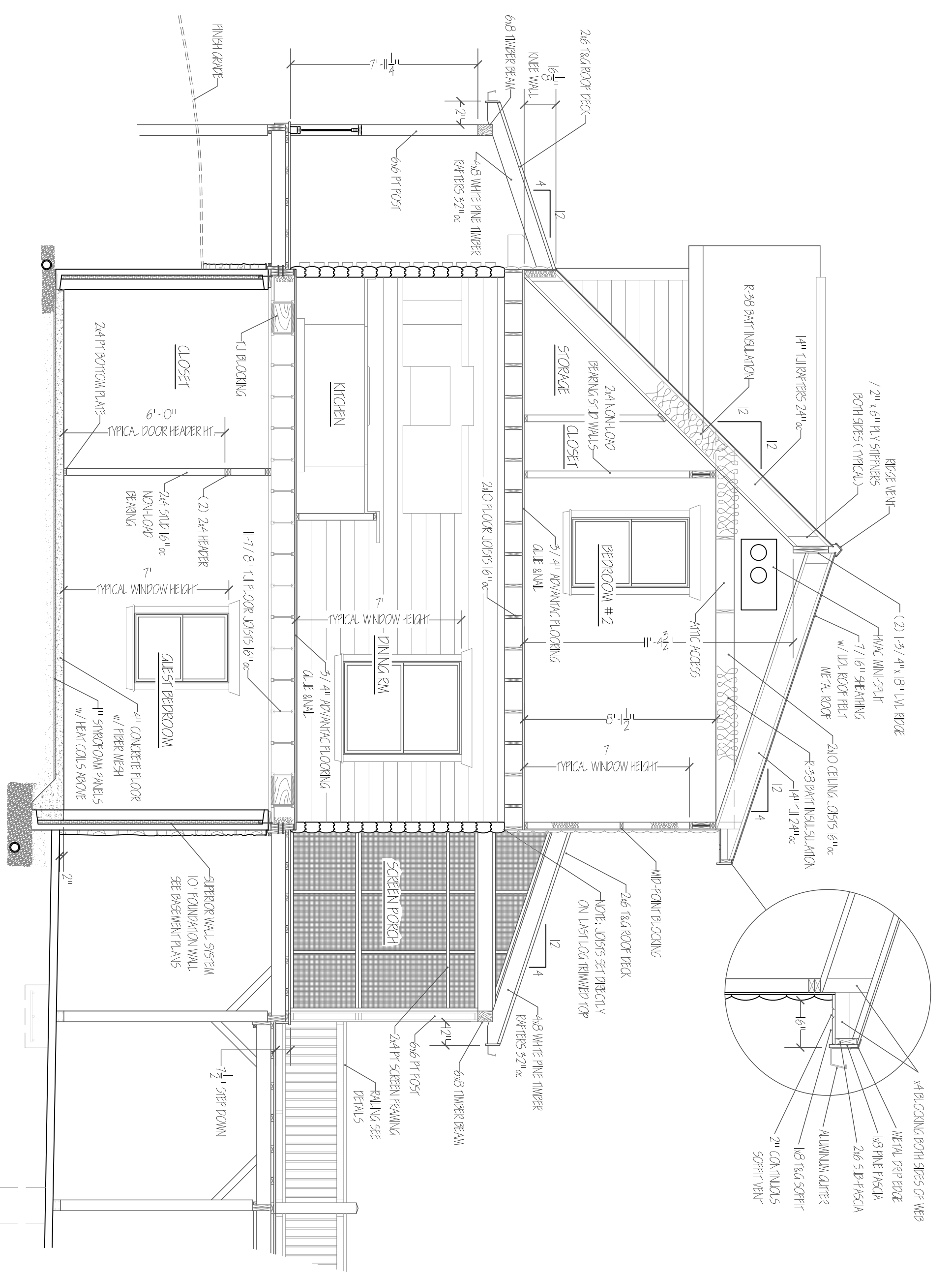
RAILING DETAIL

CONNECTION @ NEWELL/POST



EXTERIOR DECK RAILING DETAILS

END WING BUILDING SECTION



NOTE:
 The Contractor is responsible to confirm all dimensions and details described in these plans prior to the commencement of work.
 The Contractor is responsible both for confirming these plans and constructing the residence
 to all applicable building codes and laws, including codes, technical codes and building standards
 and to ensure that the structure conforms to those standards in all respects including strength, stresses,
 strains, loads and stability.